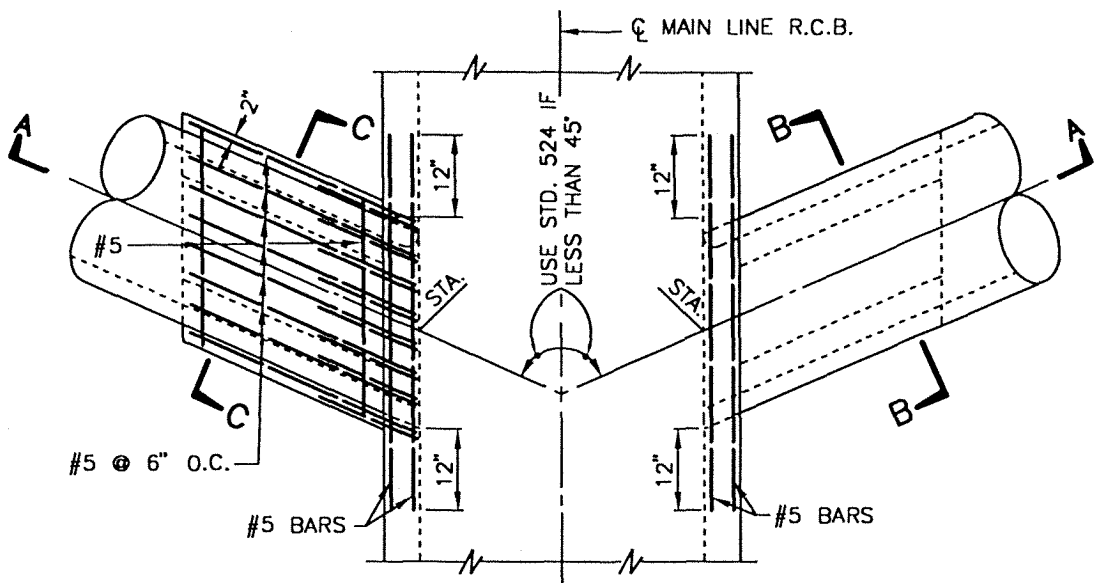
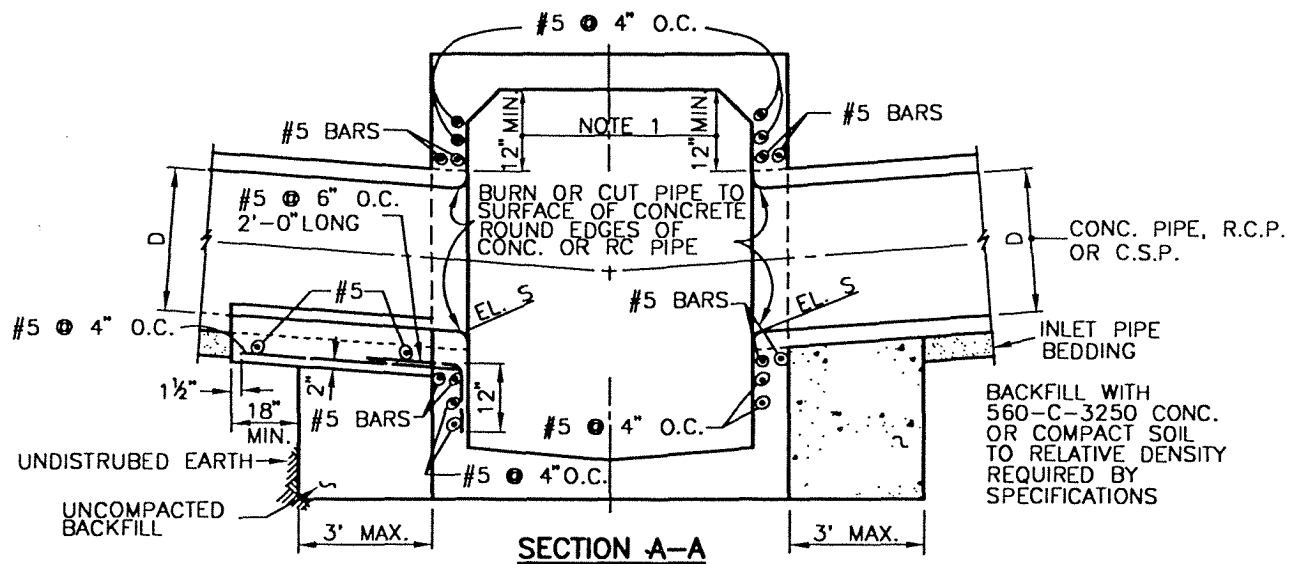


REV.	APPR. BY	DATE

REV.	APPR. BY	DATE
		5-1-95
		A



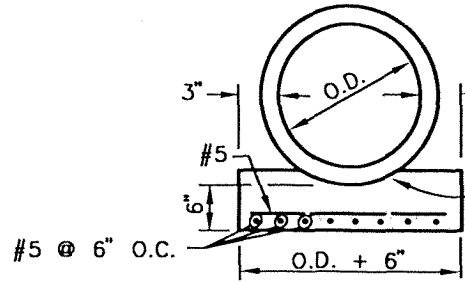
PLAN



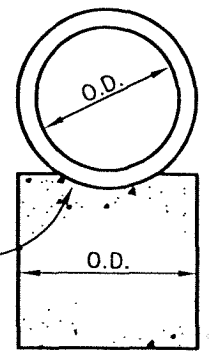
SECTION A-A

CASE 1
BEAM SUPPORT
D = 30" MAX.

CASE 2
COLUMN SUPPORT
D = 30" MAX.



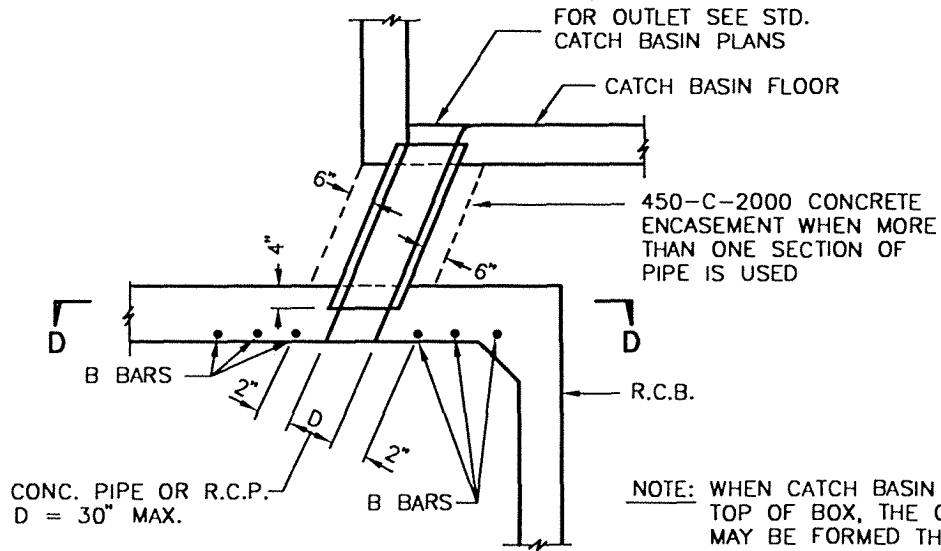
SECTION C-C



SECTION B-B

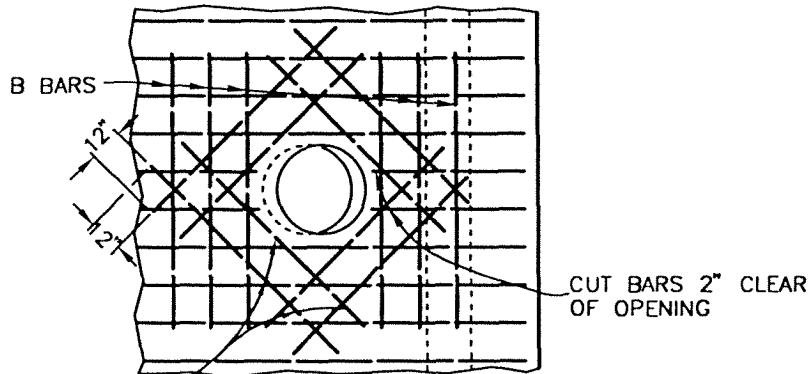
	JUNCTION STRUCTURE No. 5		STANDARD PLAN 2002
	DRAWN: STAFF Department of Public Works	CKD.: STAFF	APPR. Granville M. Bowman

B BARS - #6 @ 4" O.C., LENGTH = D + 36"
 PLACED UNDER CUT BARS AND
 ON TOP OF UNCUT BARS. OMIT
 BARS THAT FALL OVER SIDEWALLS.



NOTE: WHEN CATCH BASIN FALLS ON TOP OF BOX, THE OPENING MAY BE FORMED THROUGH FLOOR OF CATCH BASIN AND TOP SLAB OF BOX.

CASE 3
TOP SLAB ENTRANCE



#5 @ 4" O.C. TO BE
 PLACED 2" CLEAR
 OF HOLE

SECTION D-D

NOTES:

1. USE JUNCTION STRUCTURE PER STD. 524 INSTEAD OF THIS JUNCTION STRUCTURE UNDER ANY ONE OF THE FOLLOWING CONDITIONS:
 - A. DIAMETER OF THE INLET PIPE EXCEEDS 30".
 - B. TOP OF PIPE IS LESS THAN 12" BELOW SOFFIT OF BOX.
 - C. FLOW LINE OF PIPE IS LESS THAN 13" ABOVE FLOOR OF THE BOX AT INSIDE FACE.
 - D. ANGLE A IS LESS THAN 45".
2. ALL CORRUGATED METAL PIPE AND FITTINGS SHALL BE GALVANIZED.
3. ELEVATION S SHALL BE SPECIFIED ON PROJECT PLANS ONLY WHERE TOP OF PIPE IS MORE THAN 12" BELOW SOFFIT OF BOX.
4. LATERALS OR CONNECTOR PIPES 24" OR LESS IN DIAMETER SHALL BE NOT MORE THAN 5' ABOVE THE INVERT. LATERALS OR CONNECTOR PIPES 27" OR LARGER IN DIAMETER SHALL BE NOT MORE THAN 18" ABOVE THE INVERT, WITH THE EXCEPTION THAT CATCH BASIN CONNECTOR PIPES LESS THAN 50' IN LENGTH SHALL BE NOT MORE THAN 5' ABOVE THE INVERT.

REV.	APPR. BY	DATE

REV.	APPR. BY	DATE

 <p>CITY OF Oxnard</p>	JUNCTION STRUCTURE No. 5		STANDARD PLAN 2002
	DRAWN: STAFF	CKD.: STAFF	 APPR. Granville M. Bowman
Department of Public Works			SHEET 2 OF 2