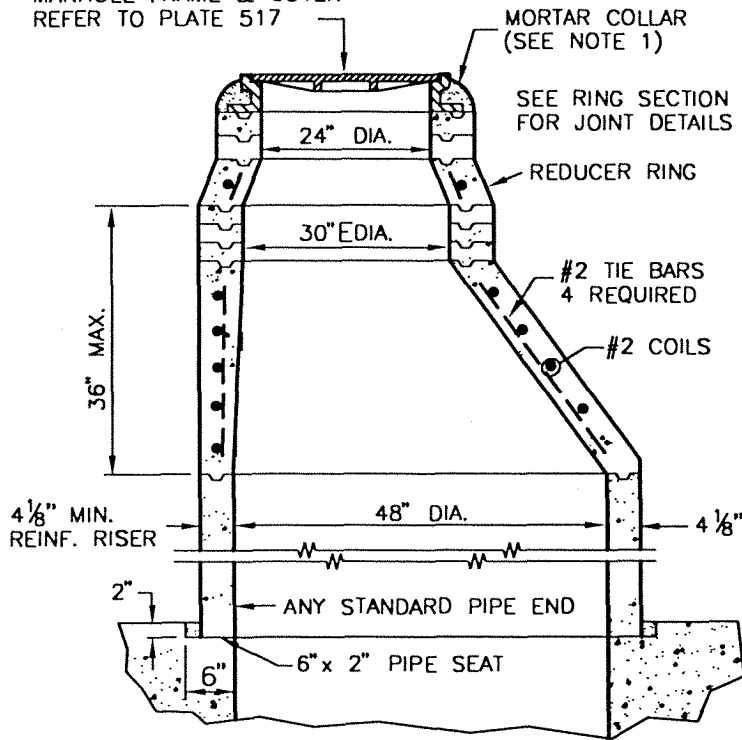
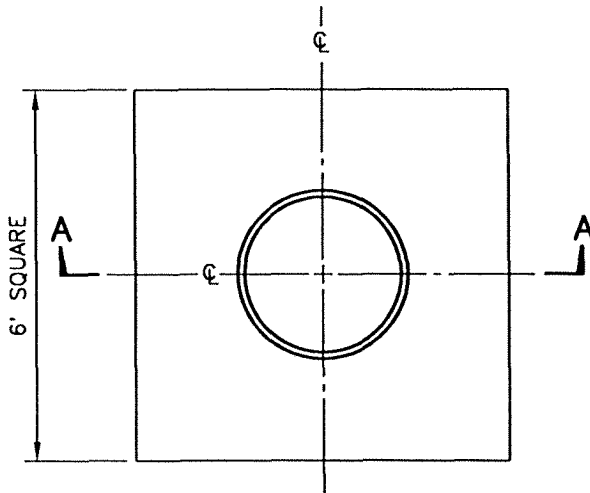


MANHOLE FRAME & COVER
REFER TO PLATE 517

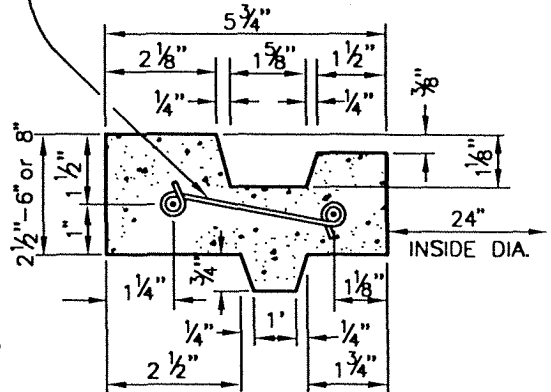


VERTICAL SECTION
OF REINFORCED CONCRETE
ECCENTRIC MANHOLE SHAFT

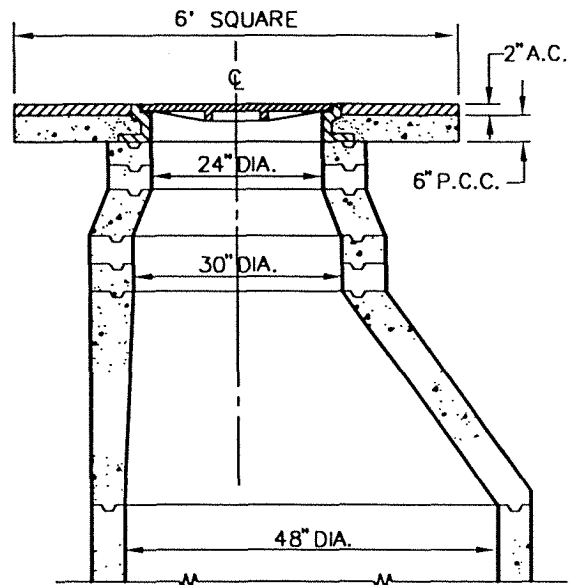


PLAN VIEW

2 1/2" RINGS SHALL BE REINFORCED
WITH TWO 1/4" ROUND STEEL HOOPS;
6" & 8" RINGS SHALL BE REINFORCED
WITH 4 & 6 HOOPS RESPECTIVELY,
2 3/4" APART.



CROSS SECTION
OF REINFORCED CONCRETE RING



SECTION A-A

NOTES:

1. MORTAR COLLAR AROUND COVER FRAME SHALL BE OMITTED IN PAVED STREETS.
2. ALL JOINTS SHALL BE FILLED WITH MORTAR AND NEATLY POINTED OR WIPED ON INSIDE OF SHAFT.

REV.	APPR. BY	DATE

REV.	APPR. BY	DATE

	CITY OF Oxnard CONCRETE RINGS, REDUCER FOR MANHOLE SHAFT		STANDARD PLAN 2002
	DRAWN: STAFF	CKD.: STAFF	
Department of Public Works		APPR. Granville M. Bowman	SHEET 1 OF 1