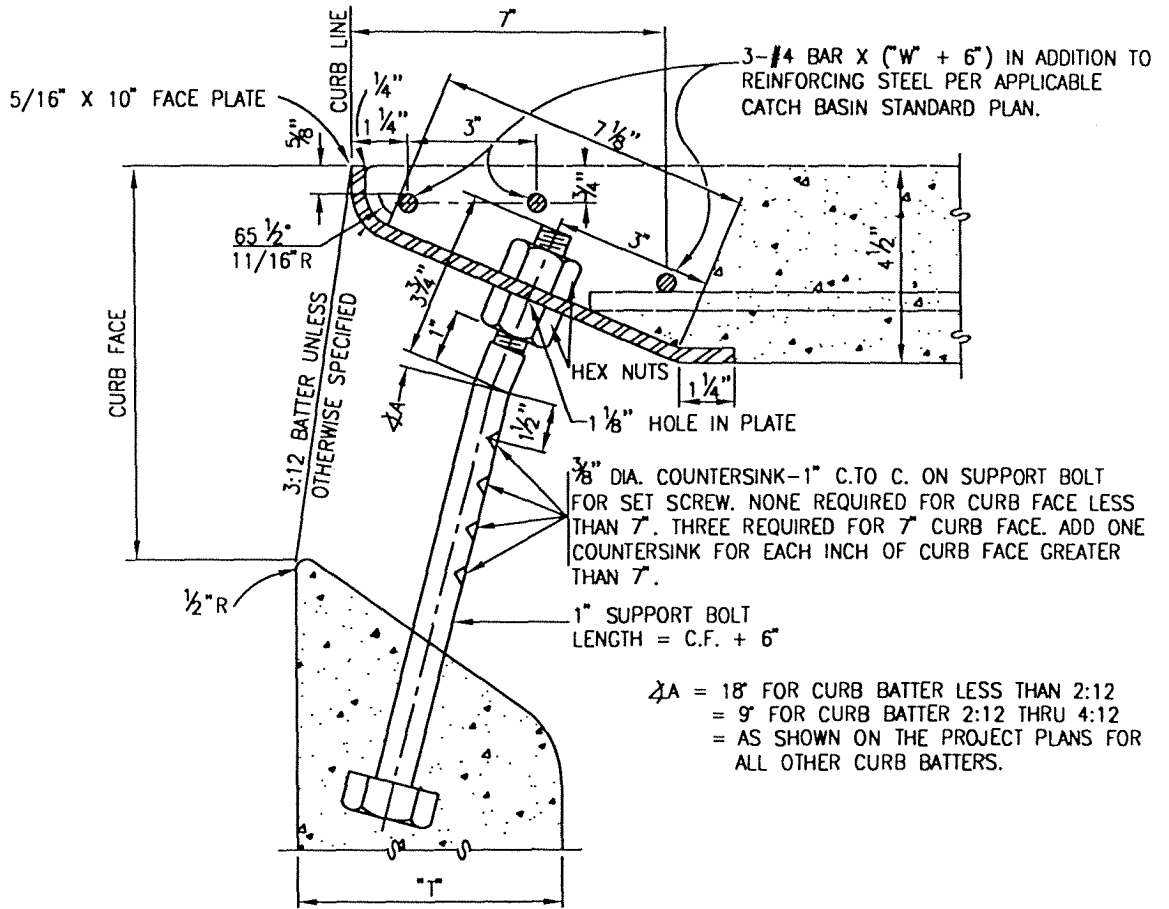
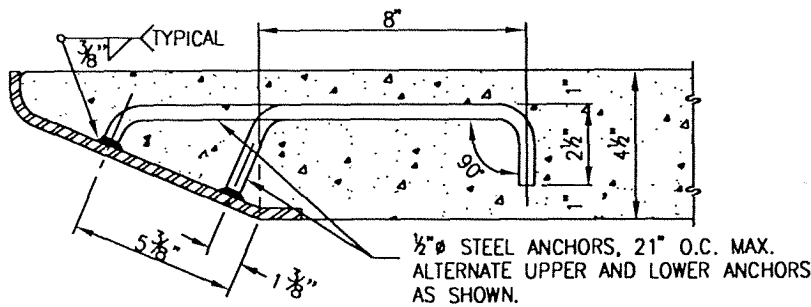


REV.	APPR. BY	DATE

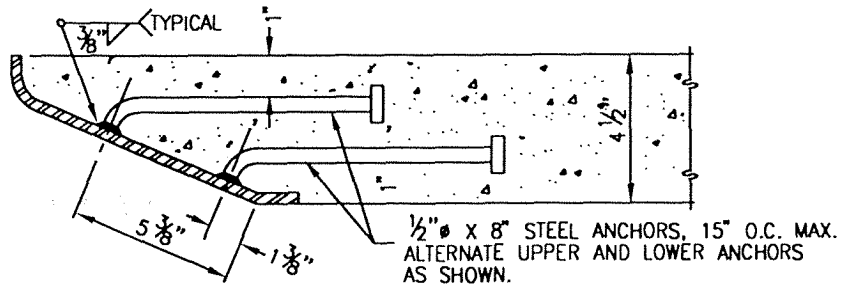
REV.	APPR. BY	DATE



SECTION



HOOK ANCHOR - 4 1/2" TOP SLAB



ROUND-HEAD ANCHOR - 4 1/2" TOP SLAB



CITY OF

DETAIL OF CATCH BASIN OPENING

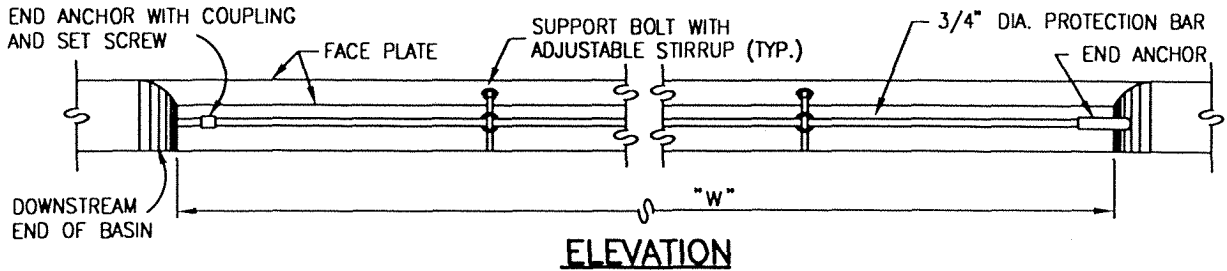
DRAWN: STAFF CKD.: STAFF *LB*
Department of Public Works

APPR. *Granville M. Bowman*
Granville M. Bowman

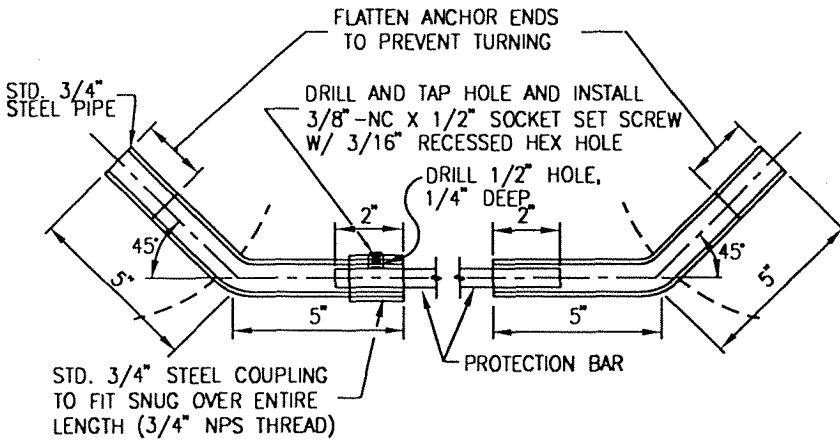
STANDARD PLAN
2002

PLATE 506

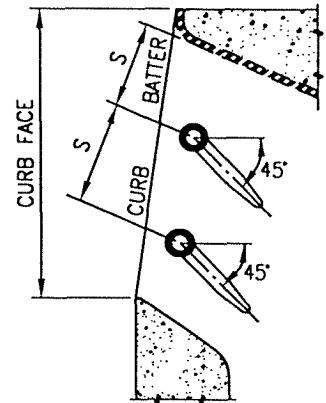
SHEET 1 OF 3



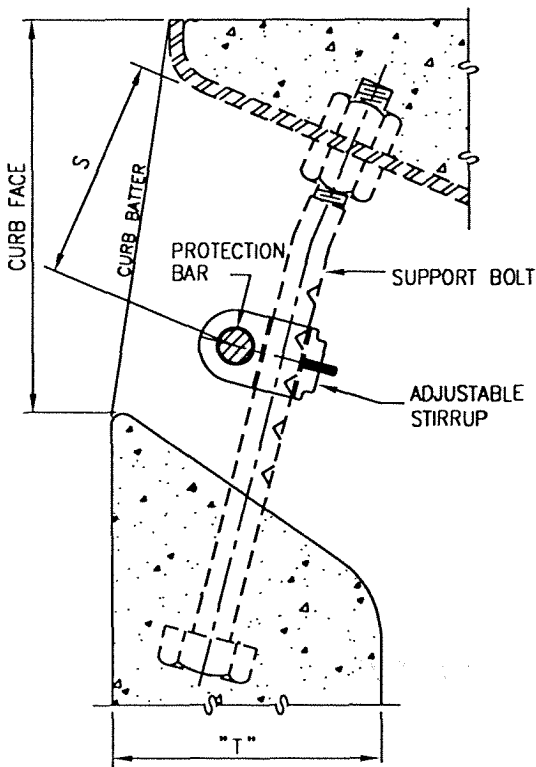
ELEVATION



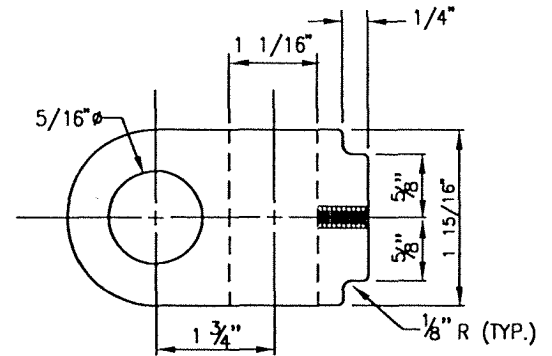
END ANCHOR DETAIL



DOUBLE PROTECTION BAR DETAIL



PROTECTION BAR AND STIRRUP LOCATION



STIRRUP DETAIL

DRILL AND TAP HOLE AND INSTALL
3/8"-NC X 1/2" SOCKET SET SCREW
WITH 3/16" RECESSED HEX HOLE

REV.	APPR. BY	DATE

REV.	APPR. BY	DATE



CITY OF

DETAIL OF CATCH BASIN OPENING

STANDARD PLAN
2002

DRAWN: STAFF CKD.: STAFF *CB*
Department of Public Works

APPR. *Granville M. Bowman*
Granville M. Bowman

PLATE 506

SHEET 2 OF 3

NOTES:

GENERAL

1. ALL PARTS SHALL BE STEEL EXCEPT THE SET SCREWS, WHICH SHALL BE STAINLESS STEEL OR BRASS.
2. EXCLUDING SET SCREWS, ALL EXPOSED METAL PARTS SHALL BE GALVANIZED AFTER FABRICATION.
3. THE CURB FACE SHALL BE NOTED ON THE PROJECT PLANS.
4. THE CURB BATTER SHALL BE 3:12 UNLESS OTHERWISE NOTED ON THE PROJECT PLANS.

FACE PLATE

5. FACE PLATE LENGTHS SHALL BE CATCH BASIN "W" PLUS 12 INCHES.
6. WHEN THE LENGTH OF THE FACE PLATE IS BETWEEN 22 FT. AND 43 FT., 2 SECTIONS MAY BE USED. WHEN THE LENGTH EXCEEDS 43 FT., 3 SECTIONS MAY BE USED. SECTIONS SHALL BE BUTT WELDED TOGETHER IN THE FIELD, THOROUGHLY CLEANED, PRIMED, AND TWO COATS OF ALUMINUM PAINT APPLIED. ALL OTHER WELDING SHALL BE DONE BEFORE GALVANIZING.
7. WHERE CATCH BASINS ARE TO BE CONSTRUCTED ON CURVES, THE MAXIMUM CHORD LENGTH FOR THE FACE PLATE SHALL BE SUCH THAT THE MAXIMUM PERPENDICULAR DISTANCE TO THE TRUE CURVE SHALL NOT EXCEED ONE INCH. WHERE MORE THAN ONE CHORD IS REQUIRED, CHORD LENGTHS SHALL BE EQUAL. CHORD SECTIONS SHALL BE BUTT WELDED TOGETHER.
8. ROUND HEAD ANCHORS FOR THE FACE PLATE SHALL BE NELSON H-4F SHEAR CONNECTOR, KSN WELDING SYSTEMS DIVISION SHEAR CONNECTOR, OR EQUAL.

SUPPORT BOLT

9. SUPPORT BOLTS ARE REQUIRED WHEN THE LENGTH OF THE CATCH BASIN OPENING IS 7 FT. OR GREATER, AND SHALL BE EVENLY SPACED ACROSS THE OPENING. SPACING SHALL NOT BE LESS THAN 3 FT. 6 INCHES ON CENTER, NOR GREATER THAN 5 FT. ON CENTER.

STIRRUP

10. THE MATERIAL SHALL BE CAST STEEL.

PROTECTION BAR


11. ALL BARS SHALL BE 3/8 INCH GALVANIZED, HOT-ROLLED STEEL PER A.S.T.M. DESIGNATION A-36. BAR LENGTHS SHALL NOT EXCEED 21 FT., AND SHALL BE CUT TO FIT IN THE FIELD. WHEN "W" IS OVER 21 FT., THE PROTECTION BAR SHALL CONSIST OF TWO OR MORE SECTIONS DEPENDING ON THE LENGTH OF THE BASIN. THE LOCATION OF SPECIAL SUPPORT BARS AND ADDITIONAL BRASS SOCKET SET SCREW SHALL BE DETERMINED BY THE ENGINEER IN THE FIELD.
12. A SPECIAL CONNECTOR BETWEEN THE PROTECTION BARS SHALL CONSIST OF A 5 INCH LENGTH OF STANDARD 3/4 INCH PIPE WITH STANDARD COUPLINGS FULLY THREADED ONTO EACH END, DRILLED AND TAPPED FOR A SOCKET SET SCREW AS DETAILED FOR THE DOWNSTREAM END ANCHOR.
13. NUMBER OF PROTECTION BARS AND LOCATION(S) ARE AS FOLLOWS:

		MAXIMUM CURB FACE												"S" DIMENSION	
		0"-6"	7"	8"	9"	10"	11"	12"	13"	14"	15"	16"	17"		18"
CURB BATTER	0:12	0	0	3.5"	3.5"	3.5"	4.5"	4.5"	5.5"	3.5"	3.5"	4.5"	4.5"	4.5"	
	1:12	0	0	3.5"	3.5"	3.5"	4.5"	4.5"	5.5"	3.5"	3.5"	4.5"	4.5"	5.5"	
	2:12	0	0	3.5"	3.5"	4.5"	4.5"	5.5"	3.5"	3.5"	4.5"	4.5"	5.5"	5.5"	
	3:12	0	0	3.5"	3.5"	4.5"	4.5"	5.5"	3.5"	4.5"	4.5"	5.5"	5.5"	4.5"	
	4:12	0	3.5"	3.5"	4.5"	4.5"	5.5"	3.5"	3.5"	4.5"	4.5"	5.5"	4.5"	4.5"	
		0	1				2				3				
		NUMBER OF PROTECTION BARS													

FOR OTHER CURB FACE OR BATTER, SEE PROJECT PLANS.

REV.	APPR. BY	DATE

REV.	APPR. BY	DATE

 <p>CITY OF</p>	<p>DETAIL OF CATCH BASIN OPENING</p>		<p>STANDARD PLAN 2002</p>
	<p>DRAWN: STAFF</p>	<p>CKD.: STAFF <i>LB</i></p>	<p>APPR. <i>Granville M. Bowman</i></p> <p>Granville M. Bowman</p>
<p>Department of Public Works</p>			<p>SHEET 3 OF 3</p>