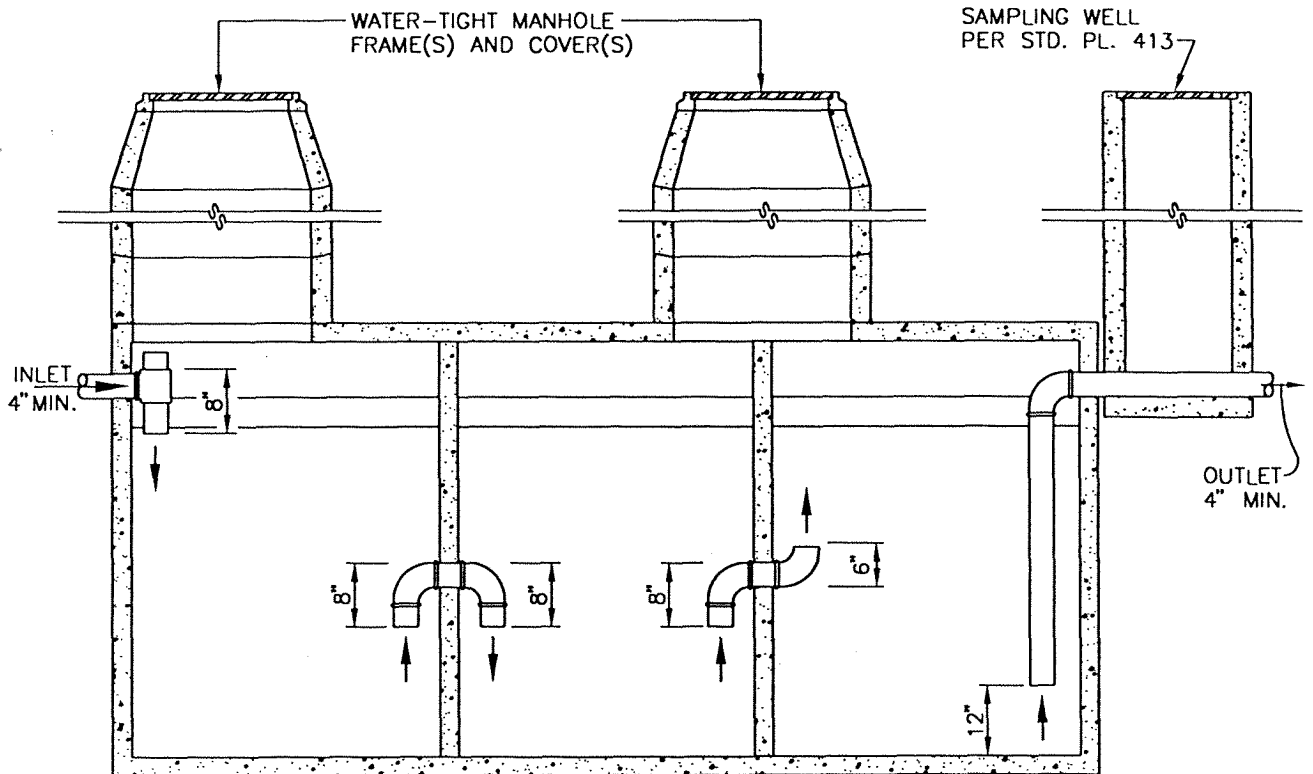


PLAN VIEW



LONGITUDINAL SECTION

NOTE:

1. PROTECTIVE COATING PER PLATE 400.

REV.	APPR. BY	DATE

REV.	APPR. BY	DATE

	GRAVITY SEPARATOR DEVICE INTERNAL PLUMBING CONFIGURATION		STANDARD PLAN 2002
	DRAWN: STAFF	CKD.: STAFF	APPR.  Granville M. Bowman
Department of Public Works			SHEET 1 OF 1