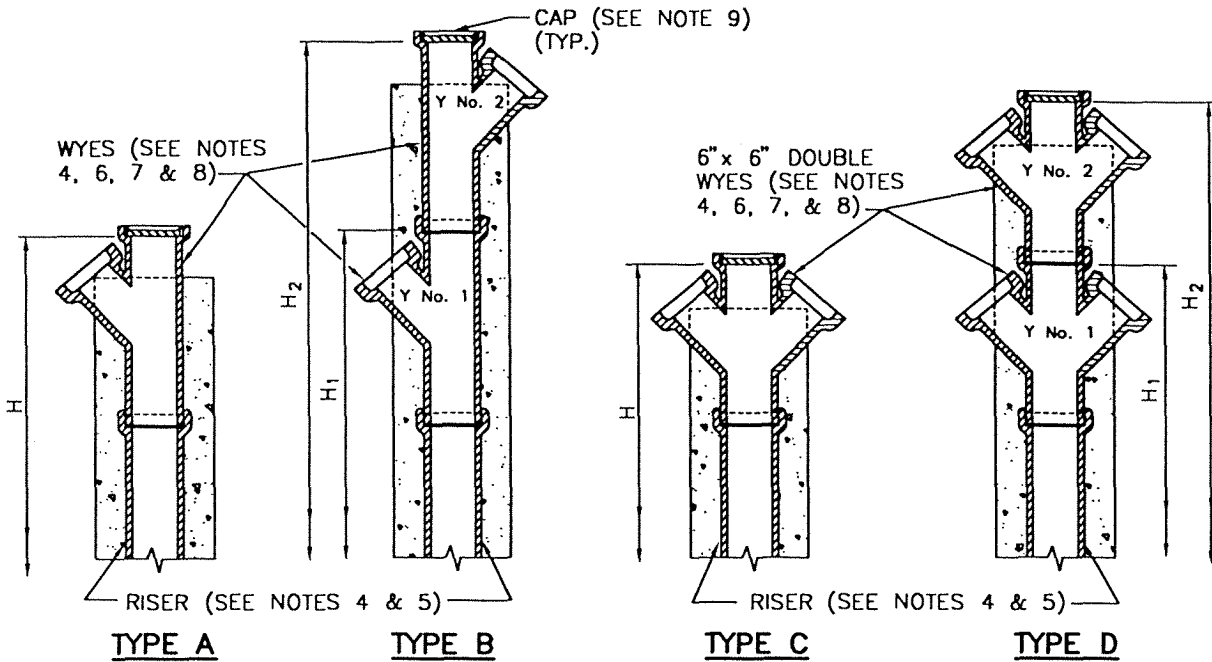
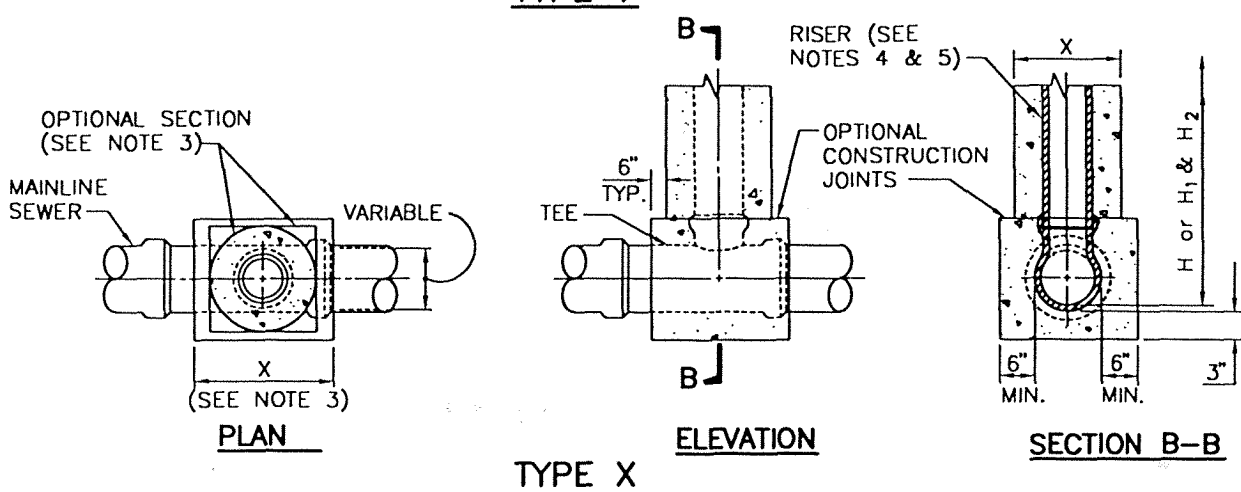
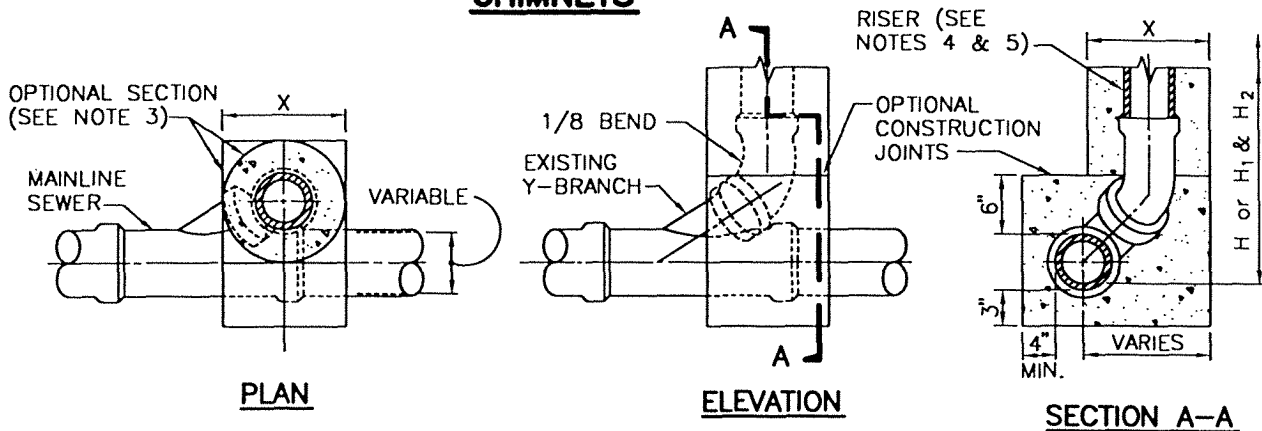


REV.	APPR. BY	DATE

REV.	APPR. BY	DATE



**CHIMNEYS**



**BASES**


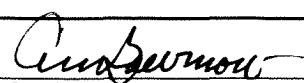
	<b>CHIMNEYS</b>		STANDARD PLAN 2002
	DRAWN: STAFF Department of Public Works	CKD.: STAFF/B	APPR. <i>Granville M. Bowman</i> Granville M. Bowman

**NOTES:**

1. RISER PIPE AND FITTINGS SHOWN HEREON SHALL, UNLESS INDICATED, BE OF THE SAME MATERIAL AS THE MAIN LINE SEWER, AND MAY BE ANY OF THE FOLLOWING:
  - A. VC PIPE
  - B. PVC PLASTIC PIPE (SDR 35)
2. THE CONTRACTOR MAY USE A TYPE OF MATERIAL DIFFERENT FROM THE MAIN LINE PROVIDED HE UTILIZES SUITABLE ADAPTERS APPROVED BY THE ENGINEER.
3. CONCRETE FOR BEDDING AND ENCASEMENT FOR PIPE AND FITTING SHALL BE CLASS 420-C-2000. THE VERTICAL CONCRETE ENCASEMENT SHALL BE PLACED UNIFORMLY AROUND THE RISERS IN ORDER TO MAINTAIN PROPER ALIGNMENT AND MAY BE EITHER CIRCULAR OR SQUARE IN CROSS SECTION AS SHOWN HEREON. X=16" FOR 6" CHIMNEYS. X=18" FOR 8" CHIMNEYS.
4. UNLESS OTHERWISE INDICATED ON THE PROJECT PLANS, CHIMNEY RISERS AND WYE BRANCHES SHALL BE 6" DIAMETER.
5. CHIMNEYS ARE SHOWN ON THE PROJECT PLANS BY ABBREVIATION "CH", FOLLOWED BY A LETTER DESIGNATING THE TYPE OF CHIMNEY, A HYPHEN, AND THEN ANOTHER LETTER DESIGNATING THE TYPE OF BASE (E.G., CH A-Y). FOR CHIMNEY RISERS OTHER THAN 6", THE RISER SIZE IS INDICATED ON THE PROJECT PLANS PRECEDING THE CHIMNEY TYPE DESIGNATION (E.G., 8" CH A-X). UNLESS OTHERWISE INDICATED, THE TOP OF THE CHIMNEY SHALL BE 5 FEET BELOW THE GROUND SURFACE ABOVE THE MAIN LINE.
6. WHERE DIMENSIONS H, H<sub>1</sub> AND H<sub>2</sub> (THE MAXIMUM VERTICAL DISTANCE FROM THE INVERT OF THE MAIN LINE SEWER TO THE TOP OF EACH WYE) ARE INDICATED ON THE PROJECT PLANS (E.G., H<sub>1</sub>=7.8', H<sub>2</sub>=9.8'), THESE DIMENSIONS SHALL GOVERN. THESE DIMENSIONS MAY BE SHORTENED WITHIN THE LIMITS OF THE LENGTH OF THE WYE FITTING.
7. UNLESS OTHERWISE INDICATED ON THE PROJECT PLANS, WYE BRANCHES SHALL FACE PERPENDICULAR TO THE CENTER LINE OF THE MAIN LINE SEWER.
8. WYE BRANCHES ON TYPE "A" CHIMNEYS NOT JOINED TO HOUSE CONNECTION SEWERS SHALL BE INSTALLED AS INDICATED ON THE PROJECT PLANS.
9. ALL RISERS, CHIMNEY BASES WITHOUT RISERS, AND UNCONNECTED BRANCHES SHALL BE SEALED WITH A CAP AND 1" THICK TYPE "F" MORTAR AROUND THE CIRCUMFERENCE OF THE CAP.

REV.	APPR. BY	DATE

REV.	APPR. BY	DATE

 <p>CITY OF</p>	CHIMNEYS		STANDARD PLAN 2002
	DRAWN: STAFF	CKD.: STAFF <i>LB</i>	 APPR. Granville M. Bowman
Department of Public Works			SHEET 2 OF 2