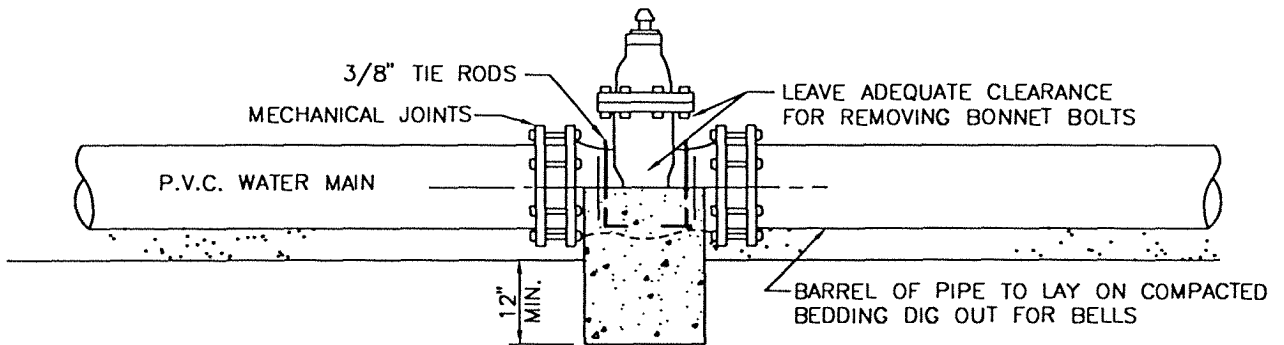
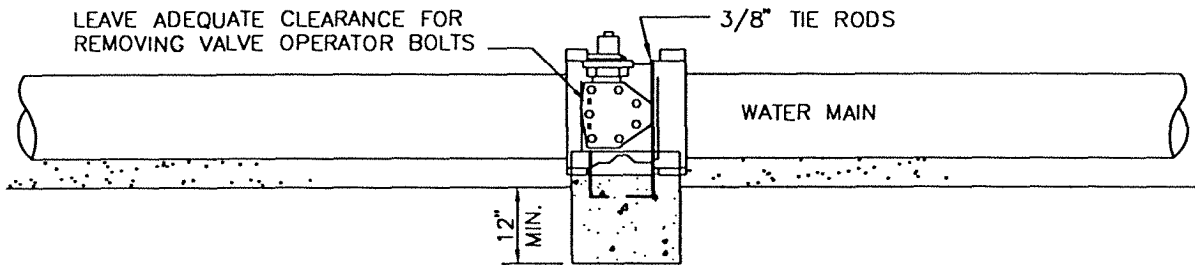


PLAN VIEW



**LONGITUDINAL SECTION
GATE VALVES**



**LONGITUDINAL SECTION
BUTTERFLY VALVES**

NOTES:

1. INSTALL INSULATED COPPER LOCATION WIRE, 12 GAUGE, ON ALL P.V.C. PIPE PER GENERAL REQUIREMENT SECTION.
2. VALVE THRUST BLOCKS ARE SIZED FOR DIFFERENTIAL PRESSURE OF 200 PSI. GREATER DIFFERENTIAL PRESSURES REQUIRE SPECIFIC DESIGN BY ENGINEER.
3. VALVES ON TEMPORARY DEAD ENDS SHALL BE CAPPED AND CLOSED.
4. THE RODS AND BOLTS SHALL BE COATED WITH NO OX-ID MATERIAL OR EQUAL AND P.E. WRAPPED.
5. REFER TO PLATE 602 FOR BEDDING REQUIREMENTS.

REV.	APPR. BY	DATE

REV.	APPR. BY	DATE



CITY OF

VALVE ANCHOR

STANDARD PLAN
2002

DRAWN: STAFF

CKD.: STAFF

Department of Public Works

APPR.

Granville, M. Bowmon

PLATE 302

SHEET 1 OF 1