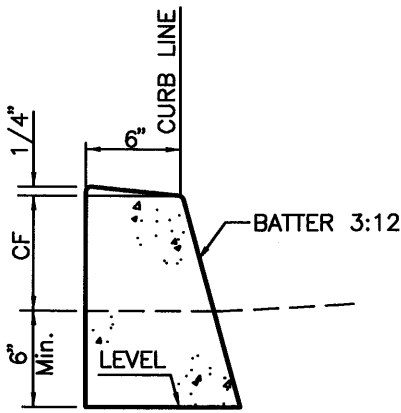
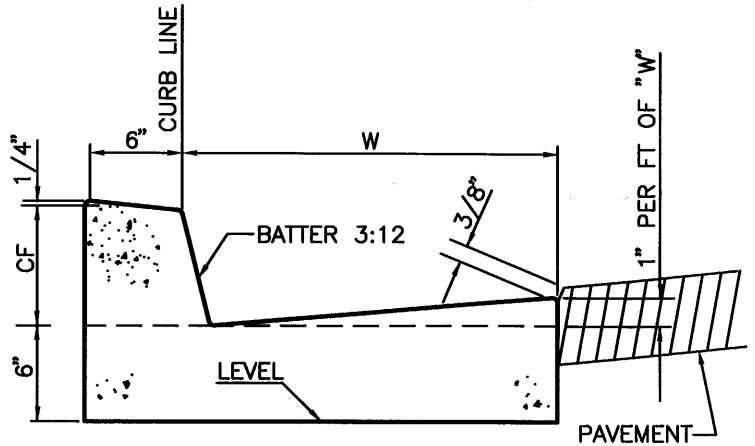


REV.	APPR. BY	DATE

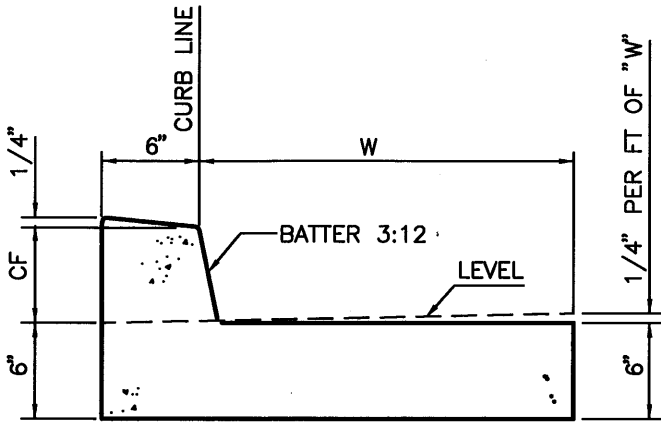
REV.	APPR. BY	DATE
	L. Balderrama	09/10/10



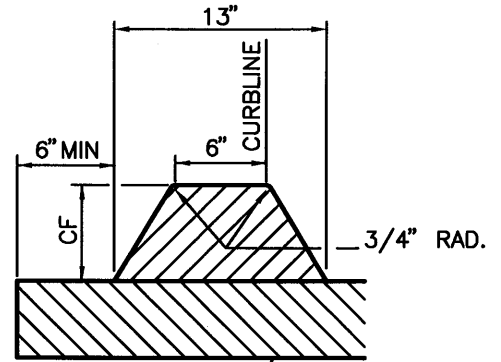
A1-6 (6" CF)
AND
A1-8 (8" CF)



A2-6 (6" CF) AND A2-8 (8" CF)



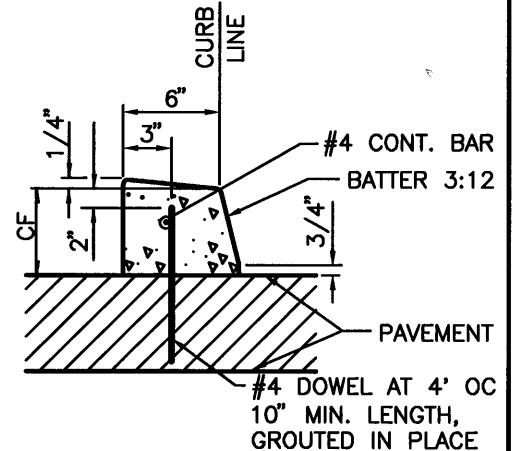
A3-6 (6" CF) AND A3-8 (8" CF)



D1-6 (6" CF)
AND
D1-8 (8" CF)

NOTES:

1. ALL DIMENSIONS ARE MEASURED IN INCHES.
2. "CF" IS THE LAST NUMBER IN THE DESIGNATION.
3. W=18" FOR 6" C.F. & 24" FOR 8" C.F.
4. TYPES A1, A2, A3, AND C1 ARE CONSTRUCTED OF PORTLAND CEMENT CONCRETE CLASS 520-C-2500 WITH 2LBS OF 3/4" LONG POLYPROPYLENE FIBERS PER CUBIC YARD.
5. TYPE D1 IS CONSTRUCTED OF ASPHALT CONCRETE.
6. TYPE C1 CURB SHALL BE ANCHORED WITH DOWELS AS SHOWN OR WITH AN EPOXY APPROVED BY THE ENGINEER.
7. GRADE SHALL BE MEASURED AT CURB LINE AT TOP OF CURB.
8. ALL EXPOSED CORNERS ON PCC CURBS AND GUTTERS TO BE ROUNDED WITH A 1/2" RADIUS.
9. WHEN SOILS EXPANSION INDEX IS $\geq 5\%$, PLACE 4" THICK SAND OR BASE UNDER CONCRETE CURB AND GUTTER EXTENDING 12" BEHIND CURB.
10. ALL CURBS SHALL HAVE A 1" DEEP WEAKENED PLANE JOINT AT 10' INTERVALS. FULL DEPTH EXPANSION JOINTS SHALL BE INSTALLED AT ALL B.C.'S, E.C.'S, D/W'S RECTANGULAR CORNERS AND AT 60' INTERVAL PER PLATE 112.



C1-6 (6" CF)
AND
C1-8 (8" CF)



CONC. CURB, CURB & GUTTER, A.C. BERM

DRAWN: A. ROQUE CKD.: HUNG LE

Department of Public Works

APPR. *L. Balderrama*
L. Balderrama, PE, City Engineer

STANDARD PLAN
2002

PLATE 111

SHEET 1 OF 1